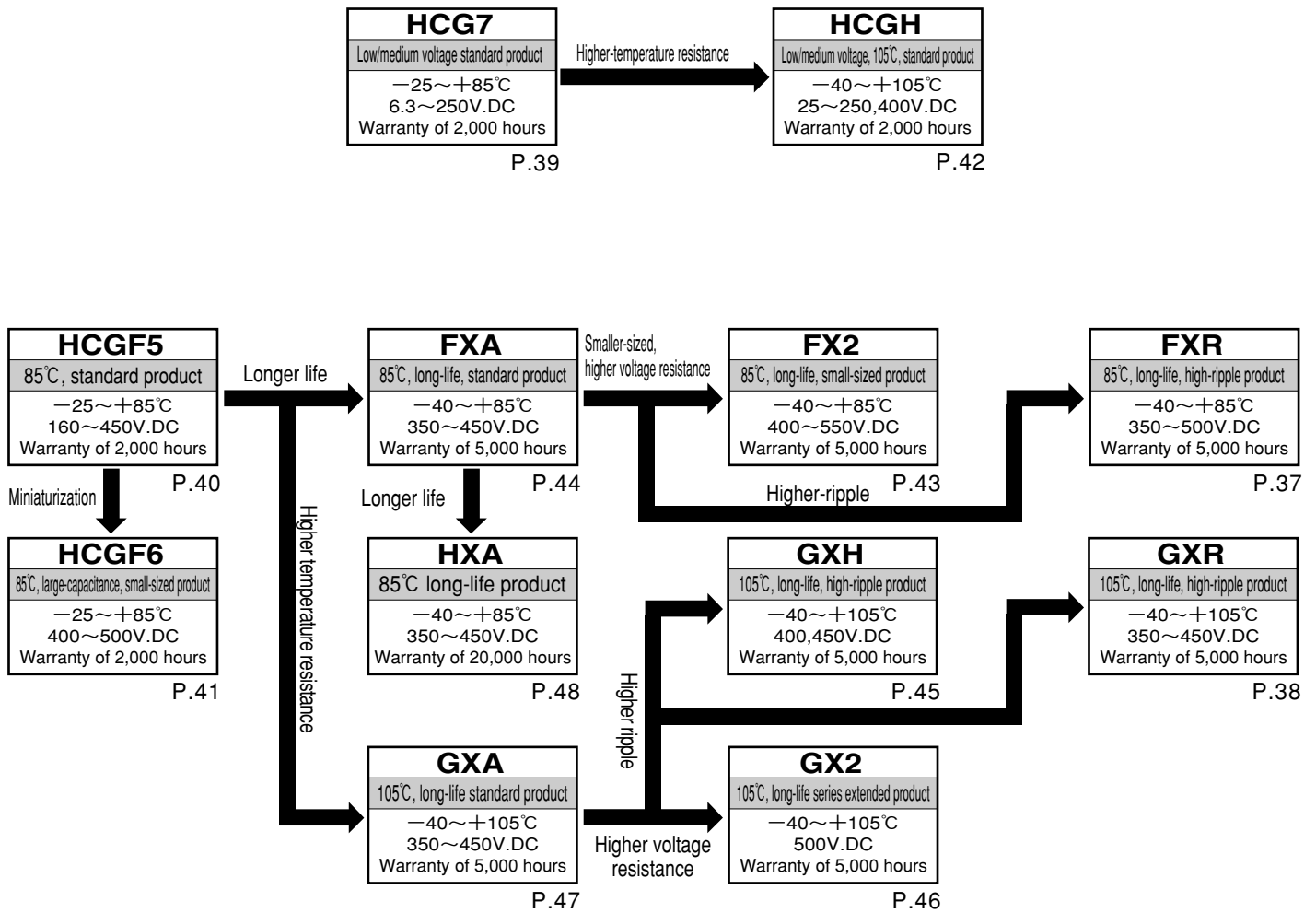
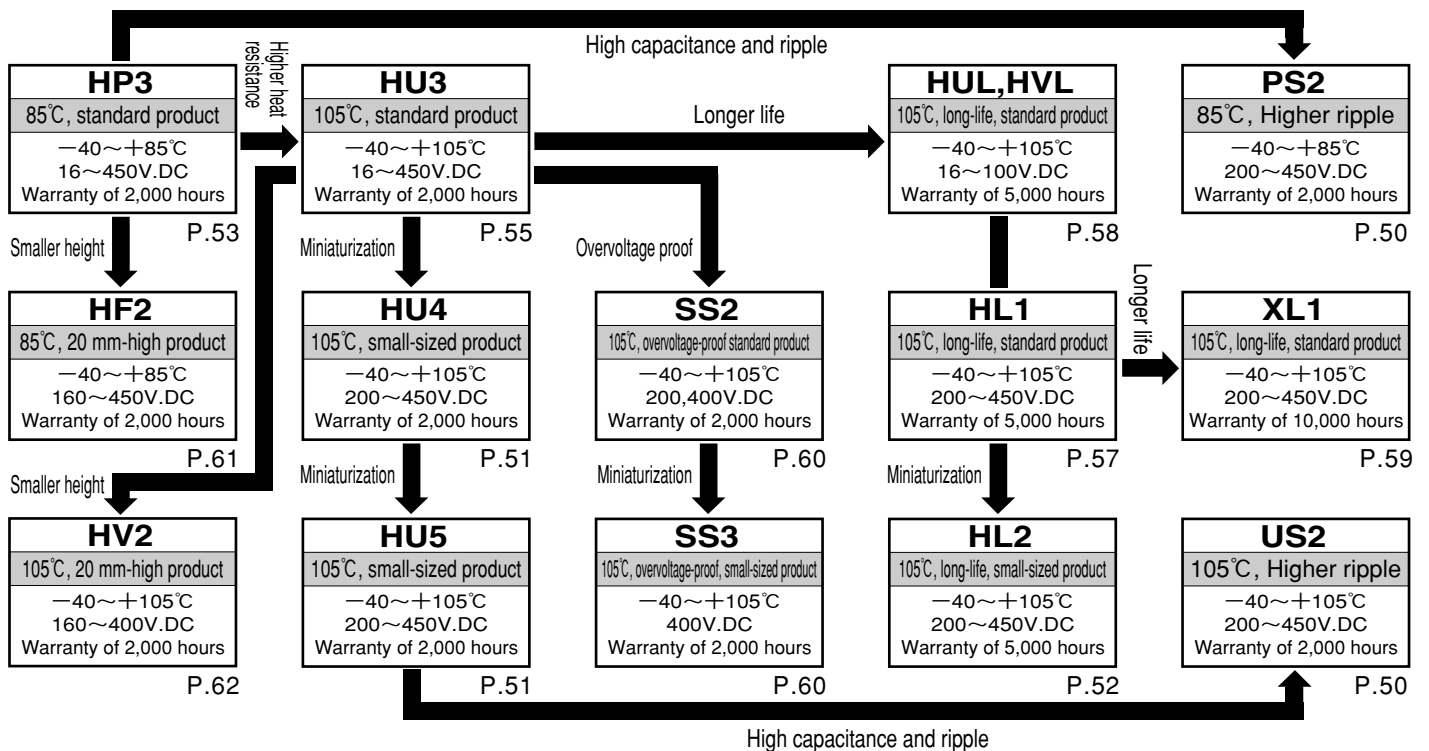


## System charts

### Screw terminal type



### On-board self-supporting type



## Table

### Large Can Aluminum Electrolytic Capacitors

Series	Features	Operating temperature range	Standard product	Small-sized product	High-reliability product	Thin-shaped product	Operating voltage V.DC	Capacitance range $\mu F$	Page
FXR	(Warranty of 5,000 hours at 85°C)	-40~+85°C			○		350~500	2700~12000	37
GXR	(Warranty of 5,000 hours at 105°C)	-40~+105°C			○		350~450	2700~10000	38
HCG7	[Small size] (Warranty of 2,000 hours at 85°C)	-25~+85°C		○			6.3~250	1000~680000	39
HCGF5	[High-ripple type for inverters] (Warranty of 2,000 hours at 85°C)	-25~+85°C	○				160~450	270~39000	40
HCGF6	[Large capacitance type for inverters] (Warranty of 2,000 hours at 85°C)	-25~+85°C		○			400~500	1200~22000	41
HCGH	(Warranty of 2,000 hours at 105°C)	-40~+105°C	○		○		25~250,400	330~330000	42
FX2	(Warranty of 5,000 hours at 85°C)	-40~+85°C		○	○		400~550	1000~22000	43
FXA	Long life for inverter (Warranty of 5,000 hours at 85°C)	-40~+85°C	○		○		350~450	1000~18000	44
GXH	Long life for inverter (Warranty of 5,000 hours at 105°C)	-40~+105°C			○		400,450	2200~12000	45
GX2	Long life for inverter (Warranty of 5,000 hours at 105°C)	-40~+105°C			○		500	1000~6800	46
GXA	Long life for inverter (Warranty of 5,000 hours at 105°C)	-40~+105°C	○		○		350~450	1000~15000	47
HXA	Long life for inverter (Warranty of 20,000 hours at 85°C)	-40~+85°C	○		○		350~450	1000~15000	48

### Snap-in Type Aluminum Electrolytic Capacitor

Series	Features	Operating temperature range	Standard product	Small-sized product	High-reliability product	Thin-shaped product	Operating voltage V.DC	Capacitance range $\mu F$	Page
PS2	High Capacitance and Ripple Type (Warranty of 2,000 hours at 85°C)	-40~+85°C		○	○		200~450	820~4700	50
US2	High Capacitance and Ripple Type (Warranty of 2,000 hours at 105°C)	-40~+105°C		○	○		200~450	680~4700	50
HU5,4	Small size (Warranty of 2,000 hours at 85°C)	-40~+105°C		○			200~450	47~2200	51
HL2	Long life (Warranty of 5,000 hours at 105°C)	-40~+105°C		○	○		200~450	47~1500	52
HP3	Standard type (Warranty of 2,000 hours at 85°C)	-40~+85°C	○				16~450	68~33000	53
HU3	Standard type (Warranty of 2,000 hours at 105°C)	-40~+105°C	○				16~450	47~33000	55
HL1	Standard type (Warranty of 5,000 hours at 105°C)	-40~+105°C	○		○		200~450	47~1800	57
HUL,HVL	Standard type (Warranty of 5,000 hours at 105°C)	-40~+105°C			○		16~100	220~15000	58
XL1	On-board self-supporting type, long-life product (Warranty of 10,000 hours at 105°C)	-40~+105°C			○		200~450	39~1500	59
SS2	Safety-enhancement type (Warranty of 2,000 hours at 105°C)	-40~+105°C			○		200,400	68~1500	60
SS3	On-board self-supporting type, overvoltage-proof small-sized product (Warranty of 2,000 hours at 105°C)	-40~+105°C		○	○		400	68~470	60
HF2	Low Profile (Warranty of 2,000 hours at 85°C)	-40~+85°C				○	160~450	33~470	61
HV2	Low Profile (Warranty of 2,000 hours at 105°C)	-40~+105°C				○	160~400	33~470	62
SR7	Lead wire terminal type for stroboscope circuit	-20~+55°C		○			330	80~300	63
HD6	Lug terminal type small-sized product for stroboscope circuit	-20~+55°C		○			330,360	150~1500	63